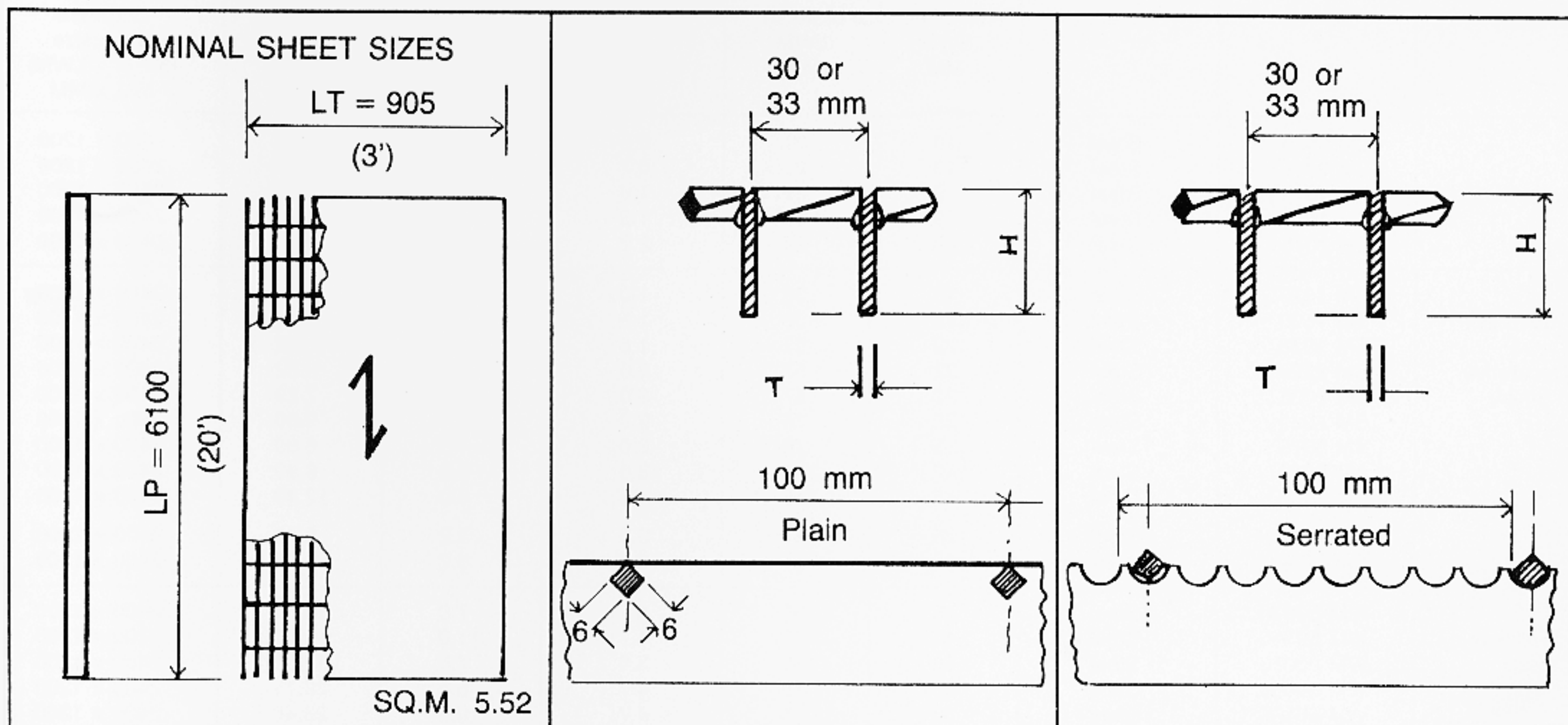


# GALVANISED GRATING



GRATING TYPES		PLAIN				SERRATED			
Type	Bearing Bar H x T	Weights				Weights			
		30 x 100 Mesh		33 x 100 Mesh		30 x 100 Mesh		33 x 100 Mesh	
		Kg/SQ.M.	Kg/Panel	Kg/SQ.M.	Kg/Panel	Kg/SQ.M.	Kg/Panel	Kg/SQ.M.	Kg/Panel
Universal	25 x 4.75 (1" x $\frac{3}{16}$ " )	35,7	197,4	32,6	179,8	34,0	187,5	30,9	170,8
Medium 1	30 x 4.75 (1 $\frac{3}{16}$ " x $\frac{3}{16}$ " )	42,3	233,9	38,5	212,8	40,6	224,0	36,9	203,9
Medium 2	32 x 4.75 (1 $\frac{1}{4}$ " x $\frac{3}{16}$ " )	45,0	248,6	40,9	226,0	43,2	238,7	39,3	217,1
Medium 3	35 x 4.75 (1 $\frac{3}{8}$ " x $\frac{3}{16}$ " )	48,8	269,5	44,3	244,9	47,0	259,7	42,8	236,1
Heavy 1	38 x 4.75 (1 $\frac{1}{2}$ " x $\frac{3}{16}$ " )	52,7	291,2	47,9	264,5	51,0	281,5	46,3	255,7
Heavy 2	40 x 4.75 (1 $\frac{9}{16}$ " x $\frac{3}{16}$ " )	55,3	305,6	50,2	277,5	53,6	295,9	48,7	268,8
Jumbo	50 x 4.75 (2" x $\frac{3}{16}$ " )	68,4	377,7	62,1	342,6	66,7	368,2	60,5	334,1

## Notes:

**Size:** 1000 mm x 6000 mm can also be supplied.

**Depths:** Gratings can be supplied to you from 5 mm depth to 60 mm depth, in thickness:  
2 ÷ 5 mm for plain, 3 ÷ 5 mm for serrated.

**Cut-to-Size:** Can supply tailor made cut to you specific sizes as per given layout drawings on most modern computer controlled machines

**Finish:** Self colour or hot dip galvanised as per ASTM 123 or equivalent standards.

**Material used:** Steel used Italian Standard FE 42 B equivalent to ASTM A 36

**Mesh:** Besides above mesh sizes of 30 x 100 and 33 x 100, we can also supply mesh sizes c. to c.:  
30 x 50, 33 x 38, 33 x 50, 33 x 76, 25 x 50,  
25 x 100, 21 x 50, 21 x 100, 42 x 50, 42 x 100